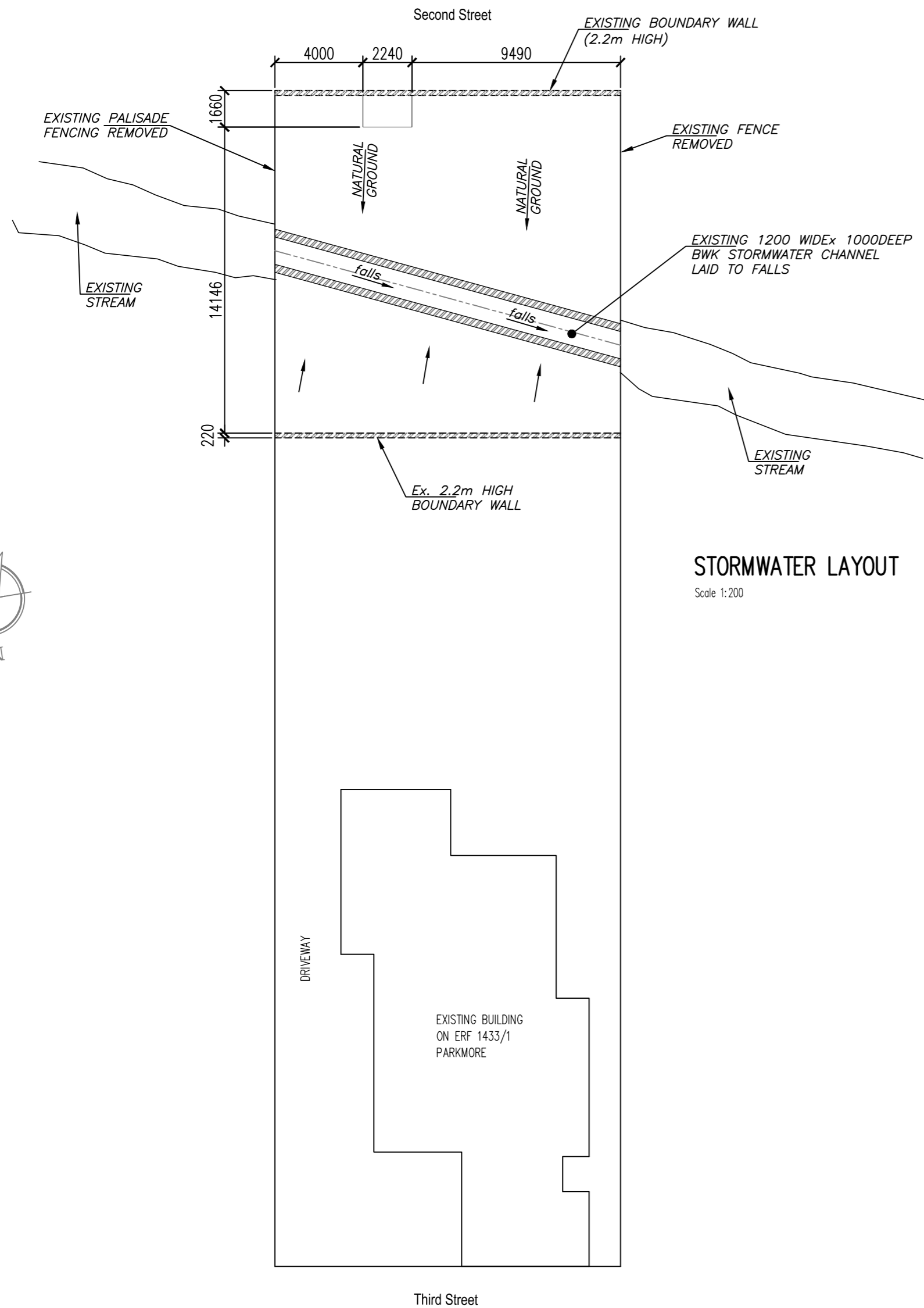


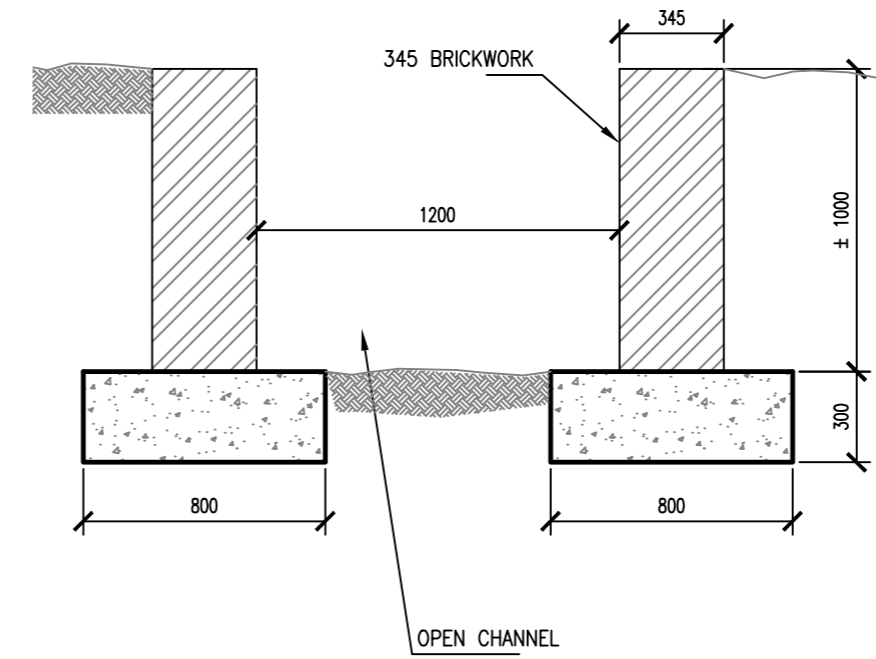
Appendix E – Site Plans



SITE PLAN

STORMWATER LAYOUT

Scale 1:200



SECTION THROUGH CHANNEL

Scale 1:25

AS BUILT
 N.D. KUYERJEE CIVIL & STRUCTURAL
 ENGINEERS HAVE NOT DESIGNED THE
 CHANNEL AND THEREFORE DO NOT
 TAKE ANY RESPONSIBILITY FOR THE
 WORKS

ALL STORMWATER
 TO BE SURFACE
 RUN OFF

NOTES :

1. ALL MATERIALS AND WORKMANSHIP TO BE IN ACCORDANCE WITH THE LATEST SABS CODES AND THE SPECIFICATIONS THEREIN .
2. ALL DIMENSIONS TO BE CHECKED AND VARYIFIED ON SITE BEFORE ANY WORK IS PUT IN HAND
3. ALL FABRICATION DRAWINGS TO BE CHECKED & APPROVED BY THE ENGINEER PRIOR TO ERECTING ON SITE
4. ALL WELDS TO BE MIN.8mm FILLET
5. ALL BOLTS TO BE GRADE 8.8 (UNLESS SPECIFIED OTHERWISE)
6. ANY DISCREPENCIES TO BE REPORTED IMMEDIATELY TO THE ENGINEER FOR A RULING
7. ALL STRUCTURAL STEELWORK TO BE GRADE 300 W
8. ALL WORK TO BE DONE ACCORDING TO SABS 1200 H
9. APPLY ONE COAT PRIMER (RED OXIDE OR SIMILAR - APPROVED) IN SHOP
10. TOUCH UP ALL SITE WITH PRIMER
11. FINAL COAT OF PAINT TO ARCHITECT'S SPECIFICATIONS
12. CONCRETE STRENGTH :FOUNDATION = 25 MPa
13. SURFACE BED = 25 MPa
14. SLAB = 25 MPa
15. ALL SLAB REINFORCEMENT MUST BE CHECKED BY THE ENGINEER BEFORE CASTING CONCRETE
16. ALL WORK MUST BE DONE ACCORDING TO SABS 0400 AND SABS 1200

CLIENT	KLIENT
PROJECT	PROJEK
ERF 1433/1 PARKMORE	
DRAWING DESCRIPTION	TEKENING BESKRYWING
AS BUILT SHOWING ERF BOUNDARIES AND STORMWATER CHANNEL	

REV.	DATE	AMENDMENTS
00	26.04.19	ISSUED FOR INFORMATION
DESIGN/ONTWERP	N.D.K.	
DRAWN/GETEKEN	G.J.	
CHECKED/NAGESIEN	N.D.K.	
CLIENT APPROVAL/KLIENT GOEDKEURING		
APPROVAL/GOEDKEURING		



**N.D.KUYERJEE
 CIVIL & STRUCTURAL
 CONSULTING ENGINEERS cc**

13, 2nd Avenue PO Box 50, Alberton, 1450
 Alberton North (011) 869-5924, 907-4103
 1449 (011) 907-1819
 e-mail :- ndk@netactive.co.za

DRAWING NO	1777_001	00
SCALE	1:200	
DATE	APRIL 2019	